



Company name:

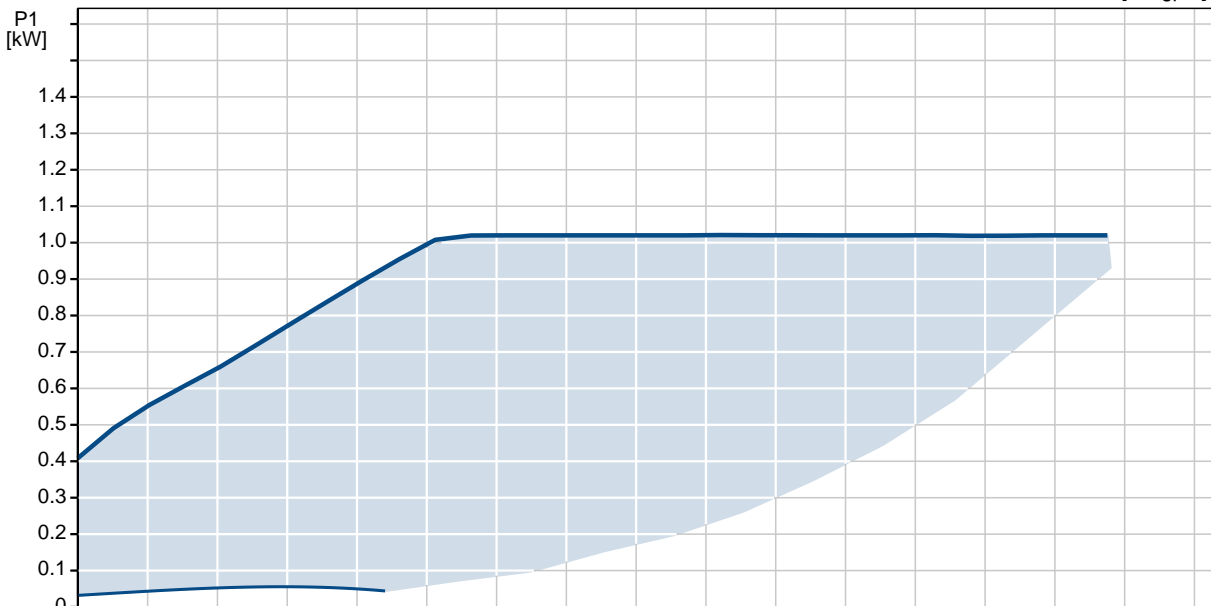
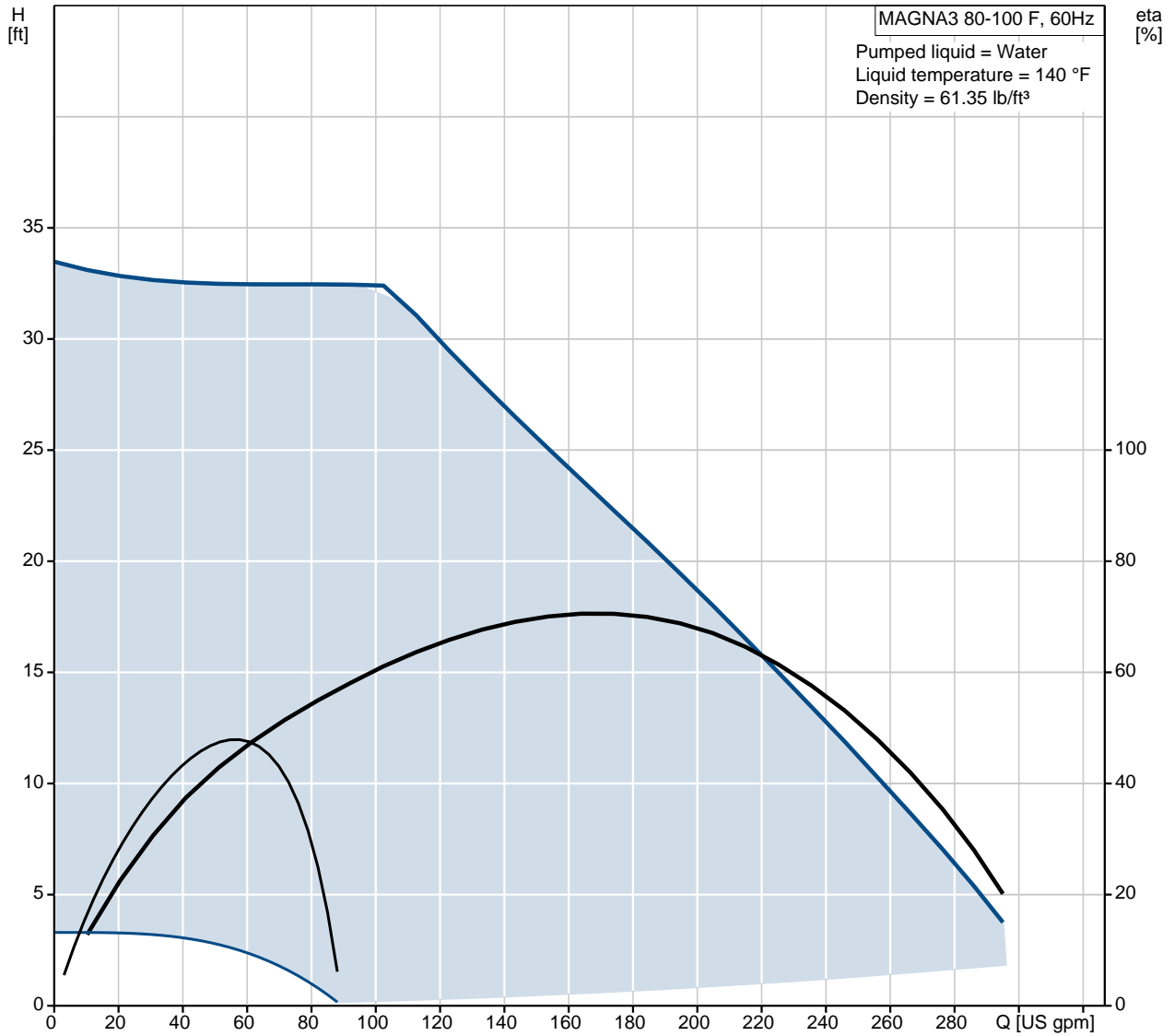
Created by:

Phone:

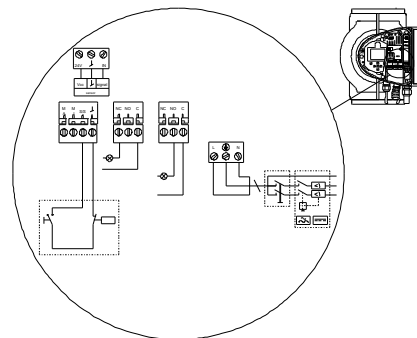
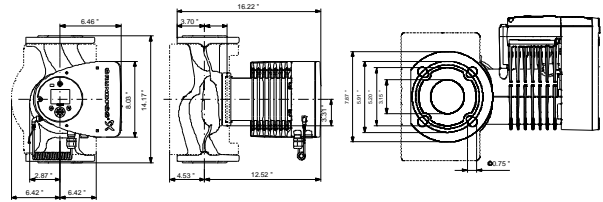
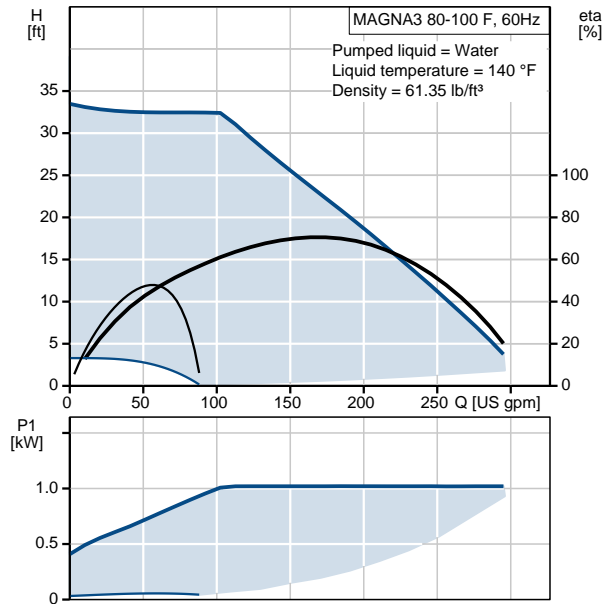
Date:

3/7/2016

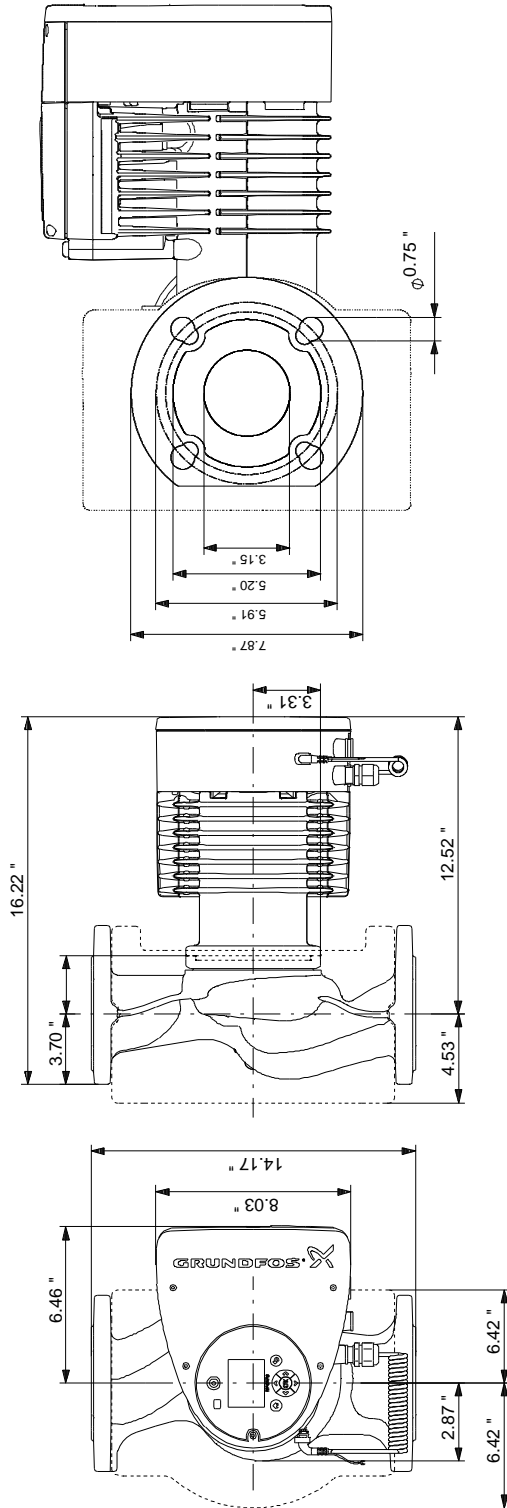
98126856 MAGNA3 80-100 F 60 Hz



Description	Value
General information:	
Product name:	MAGNA3 80-100 F
Product No.:	98126856
EAN:	5710629500182
Price:	On request
Technical:	
Head max:	32.81 ft
TF class:	110
Approvals on nameplate:	ETL, FCC W_RADIAL
Model:	A
Materials:	
Pump housing:	Cast iron
	EN-GJL-250
	ASTM A48-250B
Impeller:	PES 30%GF
Installation:	
Range of ambient temperature:	32 .. 104 °F
Maximum operating pressure:	174 psi
Flange standard:	GF
Pipe connection:	GF80
Pressure stage:	PN12
Port-to-port length:	14 3/16 in
Liquid:	
Pumped liquid:	Water
Liquid temperature range:	14 .. 230 °F
Liquid temp:	140 °F
Density:	61.35 lb/ft ³
Electrical data:	
Power input - P1:	31 .. 1041 W
Main frequency:	60 Hz
Rated voltage:	1 x 208-230 V
Maximum current consumption:	0.32 .. 4.6 A
Enclosure class (IEC 34-5):	X4D
Insulation class (IEC 85):	F
Others:	
Energy (EEI):	0.17
Net weight:	66 lb
Gross weight:	71.8 lb
Shipping volume:	2.54 ft ³

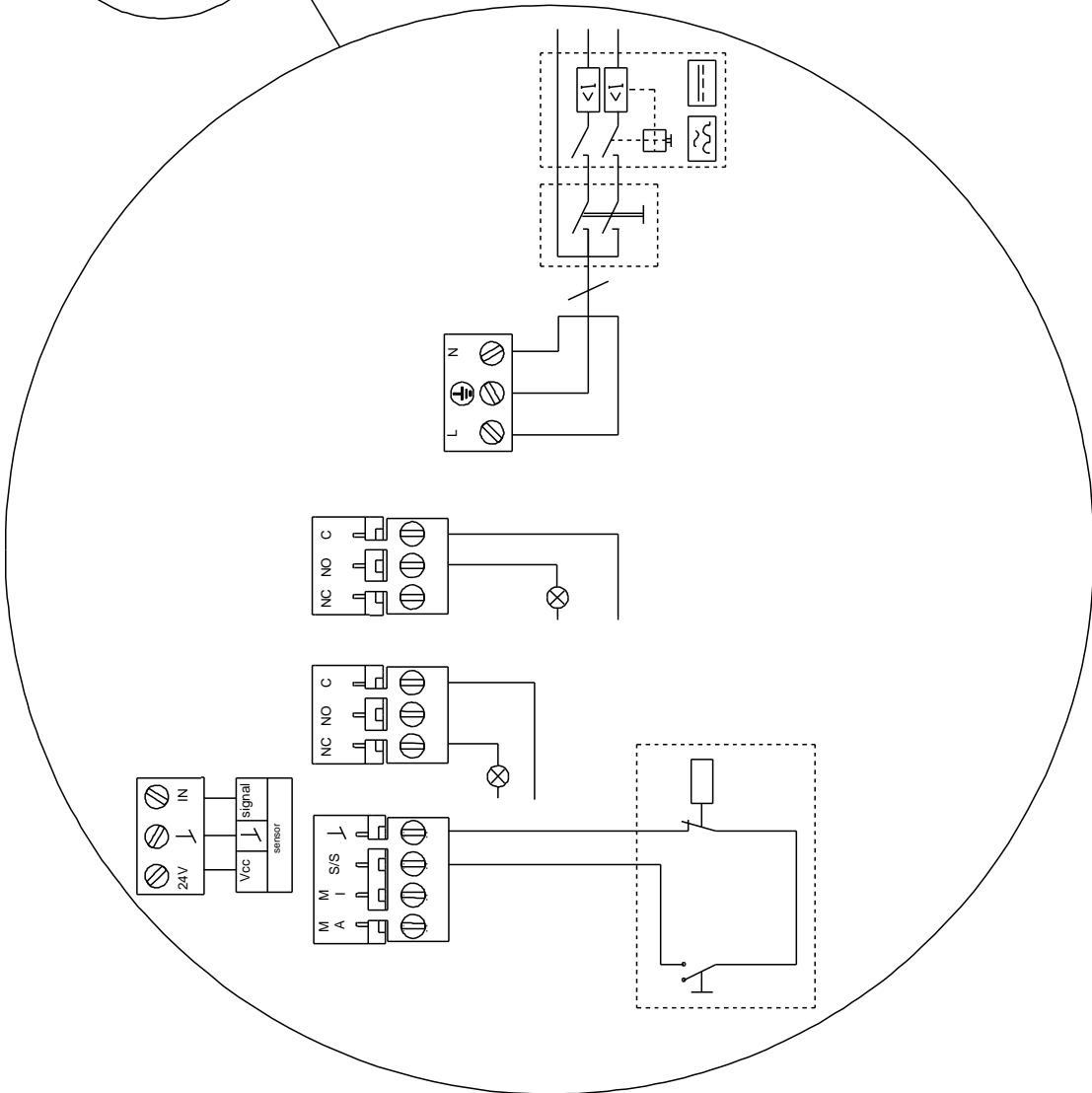
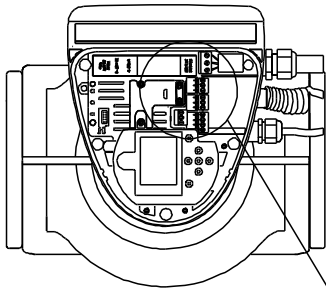


98126856 MAGNA3 80-100 F 60 Hz



Note! All units are in [mm] unless otherwise stated.
 Disclaimer: This simplified dimensional drawing does not show all details.

98126856 MAGNA3 80-100 F 60 Hz



All units are [mm] unless otherwise presented.